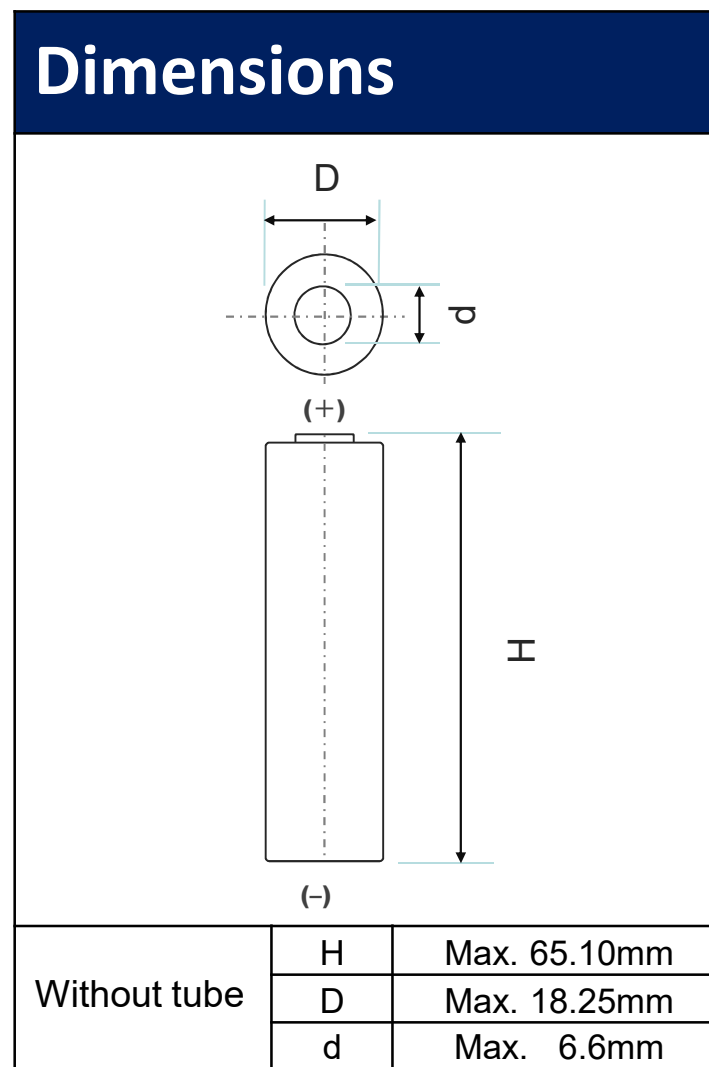


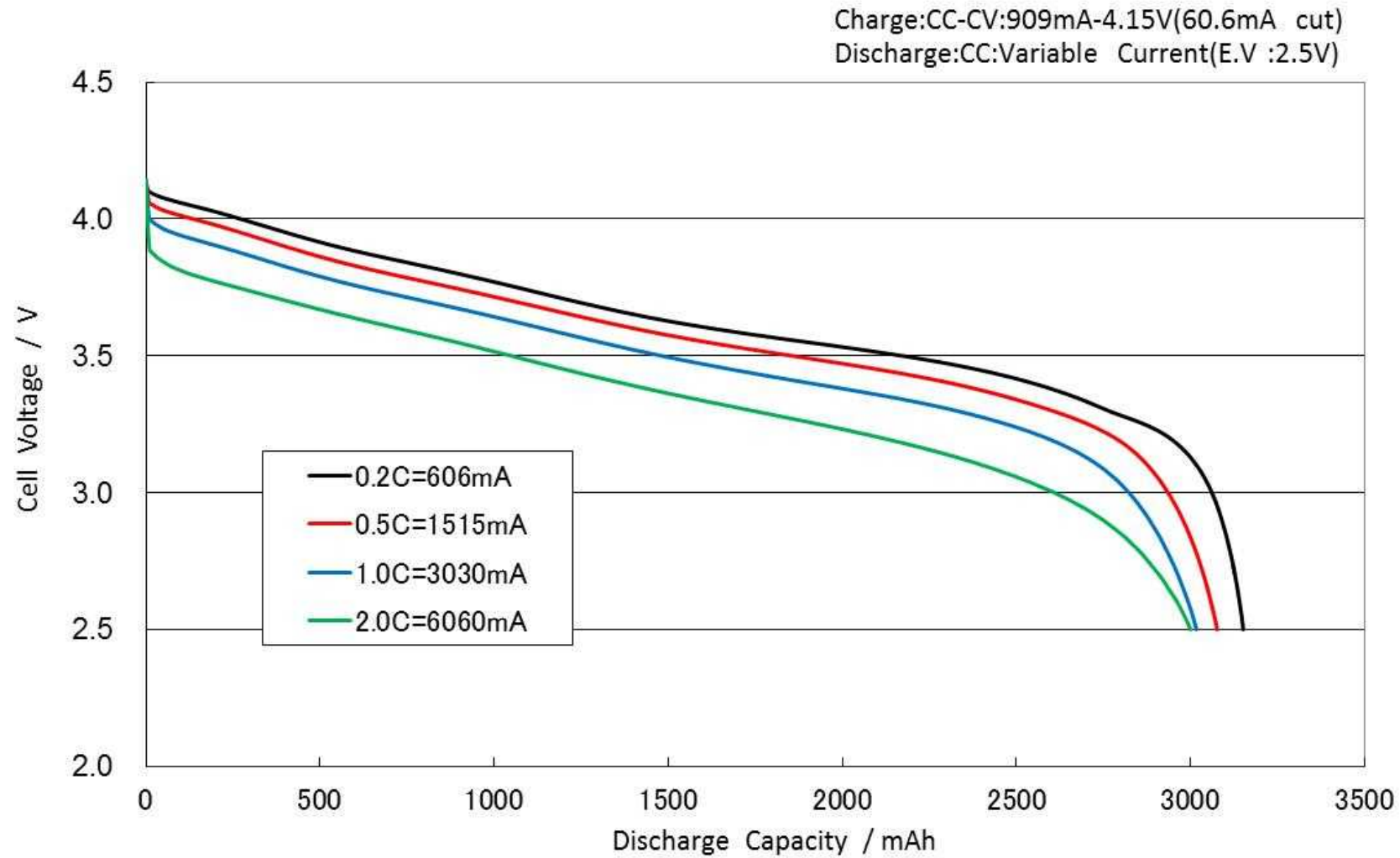
Specifications			
Rated capacity ⁽¹⁾		2980mAh	2910mAh
Capacity ⁽²⁾	Minimum	3030mAh	2935mAh
	Typical	3180mAh	3080mAh
Nominal voltage		3.6V	
Charging	Method	CC-CV	
	Voltage	4.20V	4.15V
	Current	Std. 0.3CA	
Weight (max.) Without tube		49.5g	
Temperature	Charge	10 to +45° C	
	Discharge	-20 to +60° C	
	Storage	-20 to +50° C	
Energy density ⁽³⁾	Volumetric	630 Wh/l	615 Wh/l
	Gravimetric	217 Wh/kg	212 Wh/kg

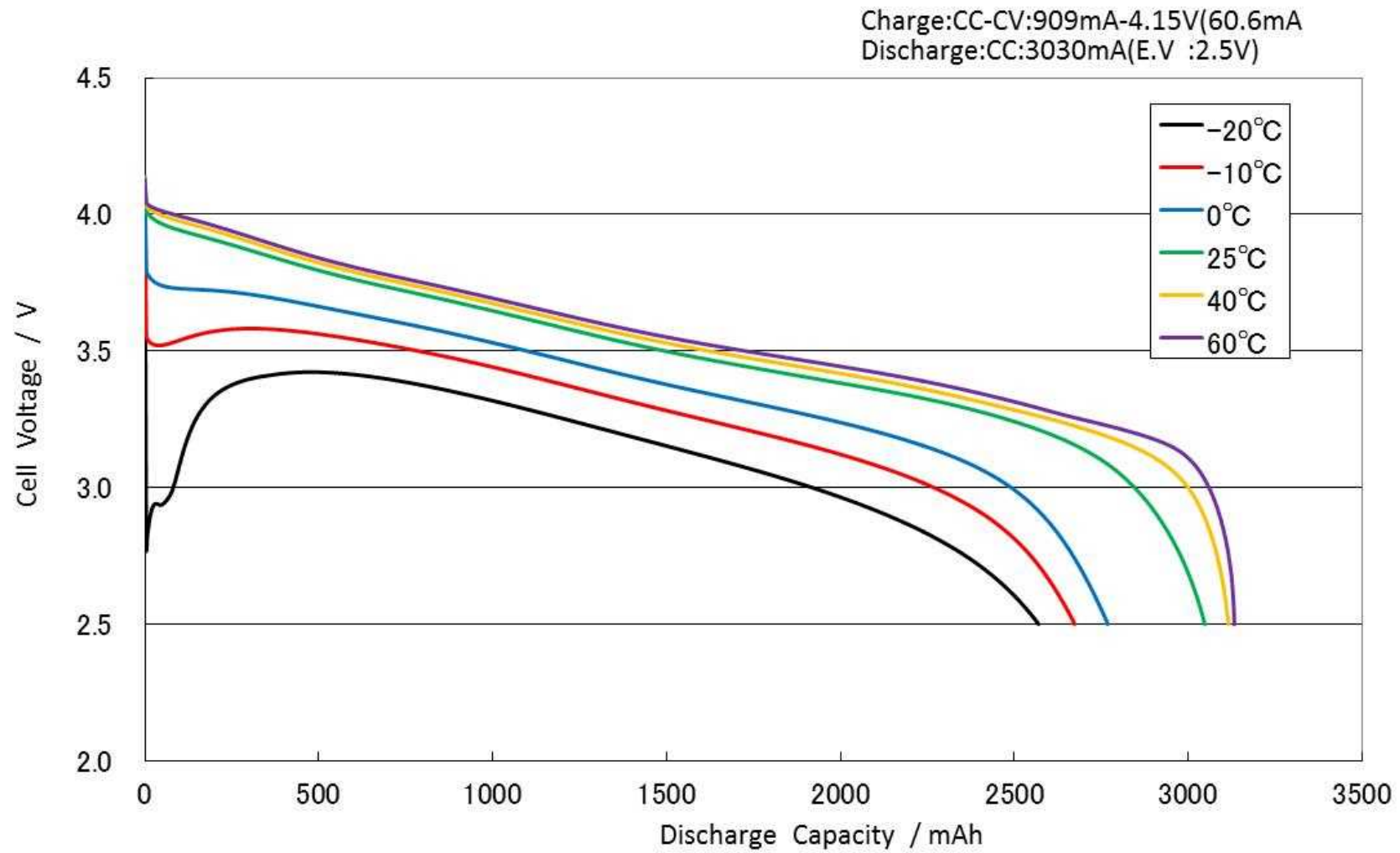
⁽¹⁾ At 20° C ⁽²⁾ At 25° C

⁽³⁾ Energy density is calculated using bare cell dimensions (without tube).



When designing a pack, refer to the cell's mechanical drawing for precise dimensions.





Cycle Characteristics for NCR18650BD

Charge :CC-CV:909mA-4.15V(61mA cut) at 25°C
Discharge:CC:3030mA to 2.5V at 25°C

