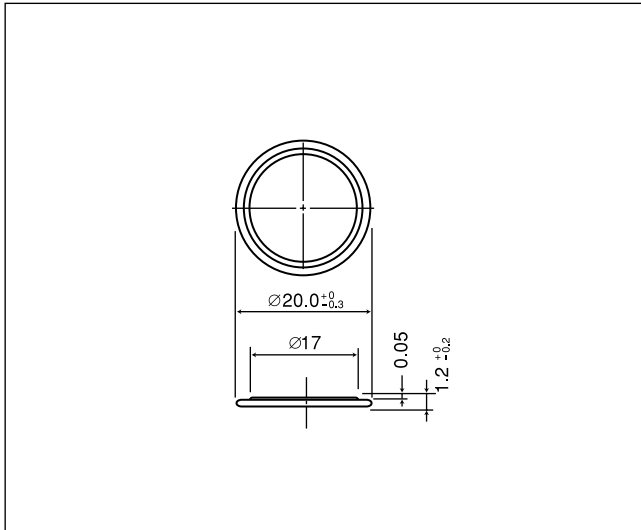


# CR2012

## ■ Dimensions(mm)

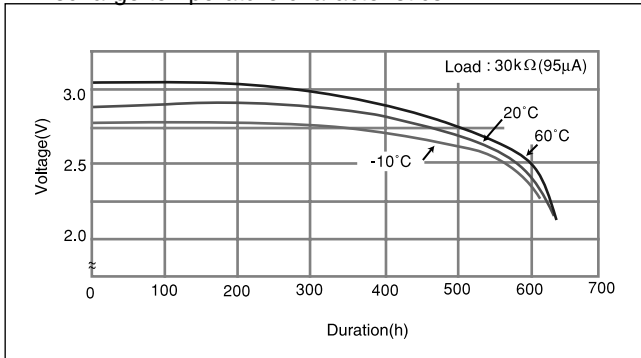


## ■ Specification

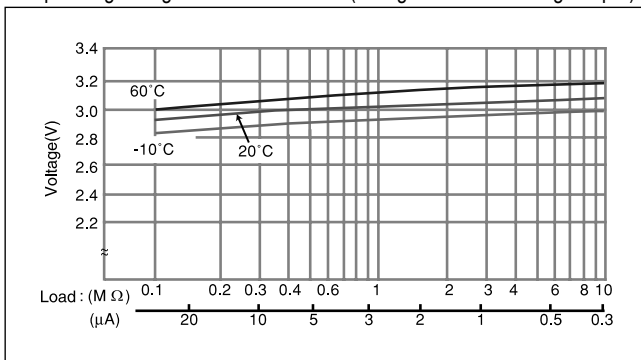
<b>Nominal voltage(V)</b>	3
<b>Nominal capacity(mAh)</b>	55
<b>Continuous drain(mA)</b>	0.1
<b>Operating temperature(°C)</b>	-30 to +85

\*Please consult Panasonic when anticipating usage in operating temperature of 70°C or above.

## ■ Discharge temperature characteristics



## ■ Operating voltage vs. load resistance(voltage at 50% discharge depth)



## ■ Capacity vs. load resistance

