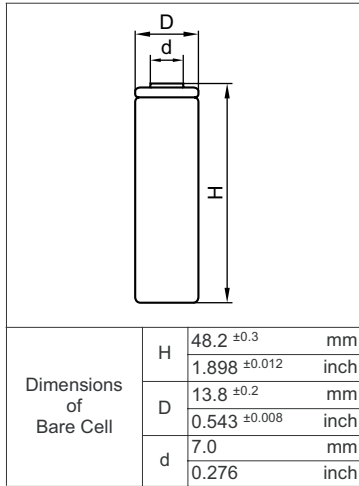


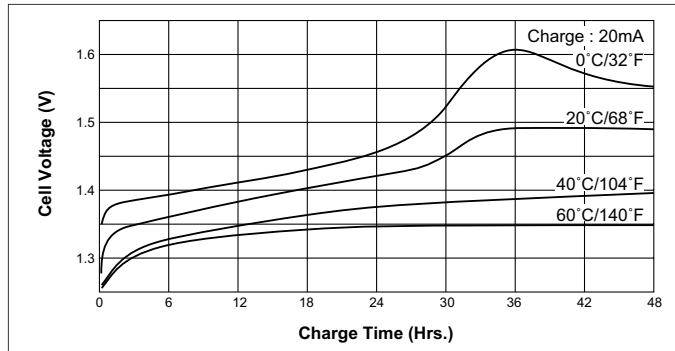
Cell Type KR-AAH Specifications



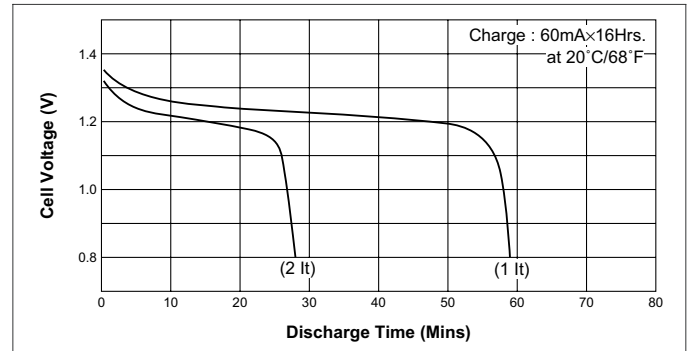
Nominal Capacity		600mAh
Nominal Voltage		1.2V
Charging Current	Trickle	20mA
	Standard	60mA
Charging Time	Trickle	above 48Hrs.
	Standard	14 to 16Hrs.
Ambient Temperature	Charge	0°C to +70°C [+32°F to 158°F]
	Discharge	-20°C to +70°C [-4°F to 158°F]
	Storage	-30°C to +70°C [-22°F to 158°F]
Internal Impedance (Av.) (at 50% discharge)		15.0mΩ (at 1000Hz)
Weight		23g/0.81oz
Dimensions(D)×(H) (with tube)		14.3 ⁰ _{-0.5} × 48.9 ⁰ ₋₁ mm 0.56 ⁰ _{-0.02} × 1.93 ⁰ _{-0.04} inch

Typical Characteristics

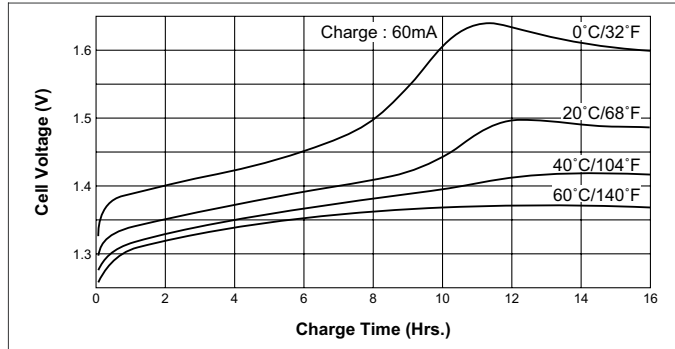
Charge



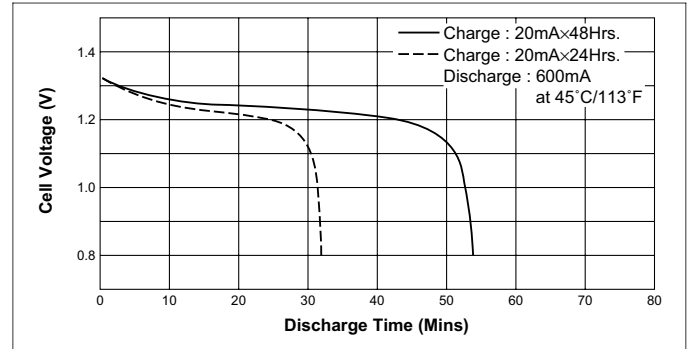
Discharge (at high rate)



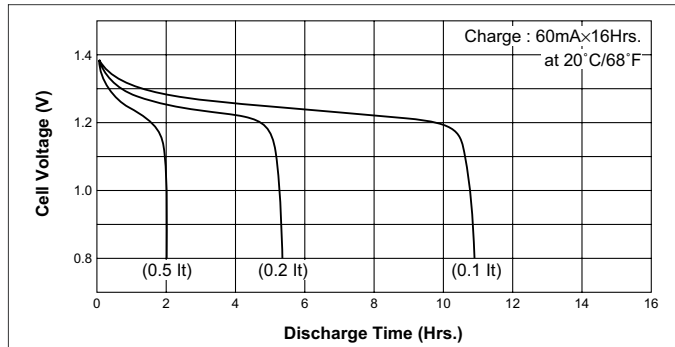
Charge



Discharge Trickle charge (at high temperature)



Discharge (at low rate)



Temperature (Charge & Discharge)

