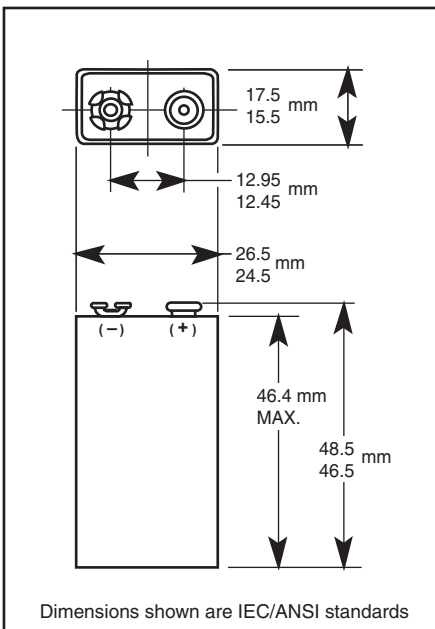
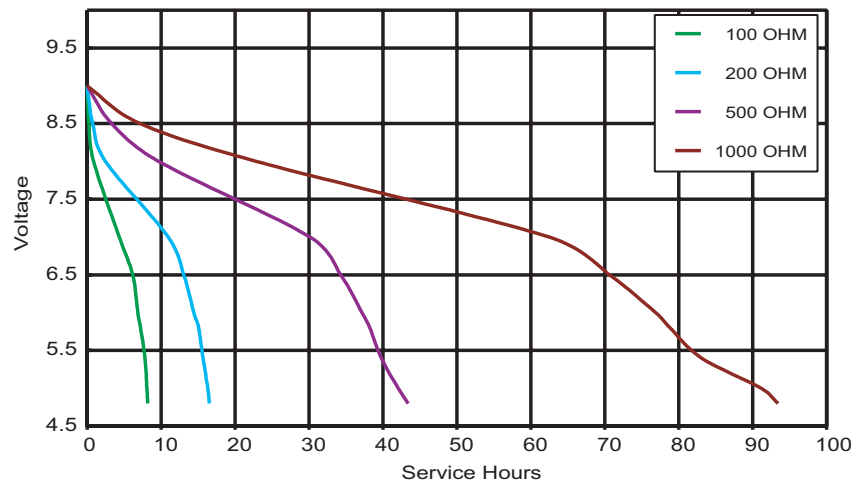




Nominal Voltage:	9 V
Operating Voltage:	9.6 - 4.8 V
Impedance:	1,700 m-ohm @ 1kHz
Typical Weight:	45 gm (1.6 oz.)
Typical Volume:	22.8 cm ³ (1.4 in. ³)
Terminals:	Miniature Snap
Storage Temperature Range:	-20°C to 35°C
Operating Temperature Range:	-20°C to 54°C (-4°F to 130°F)
ANSI:	1604A
IEC:	6LR61



TYPICAL DISCHARGE CHARACTERISTICS AT 21°C (70°F)

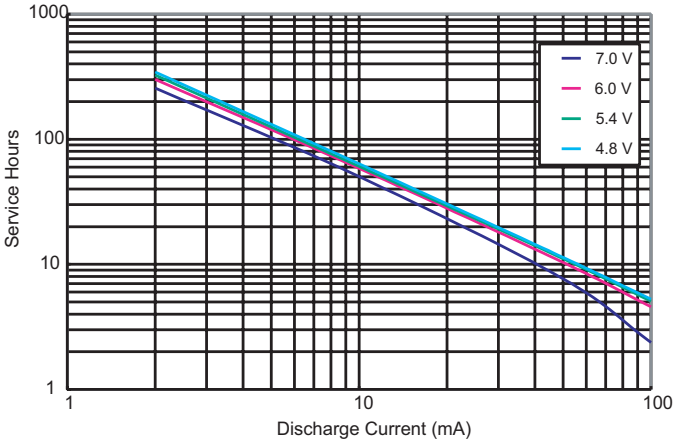


DURACELL®
BATTERIES

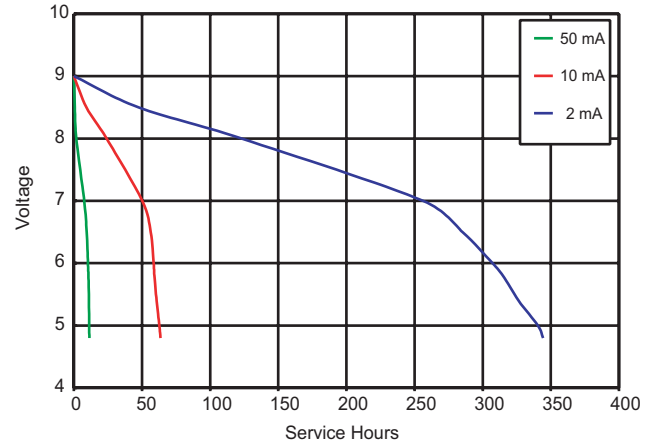
Berkshire Corporate Park
Bethel, CT 06801 U.S.A.
Telephone: Toll-free 1-800-544-5454
Internet: www.duracell.com

* Delivered capacity is dependent on the applied load, operating temperature and cut-off voltage. Please refer to the charts and discharge data shown for examples of the energy / service life that the battery will provide for various load conditions.

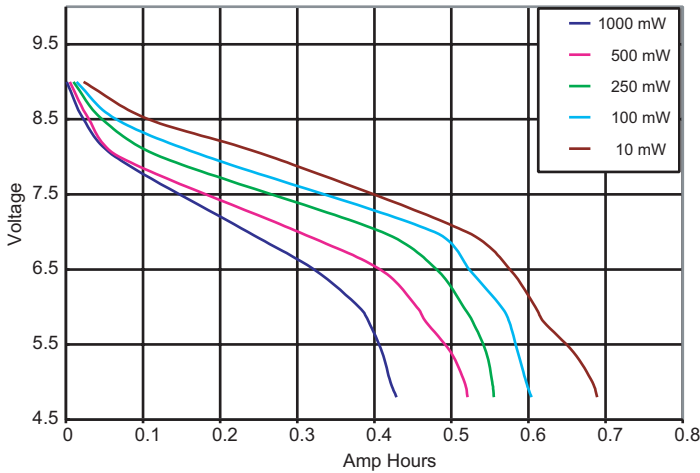
TYPICAL CONSTANT CURRENT DISCHARGE CHARACTERISTICS AT 21°C (70°F)



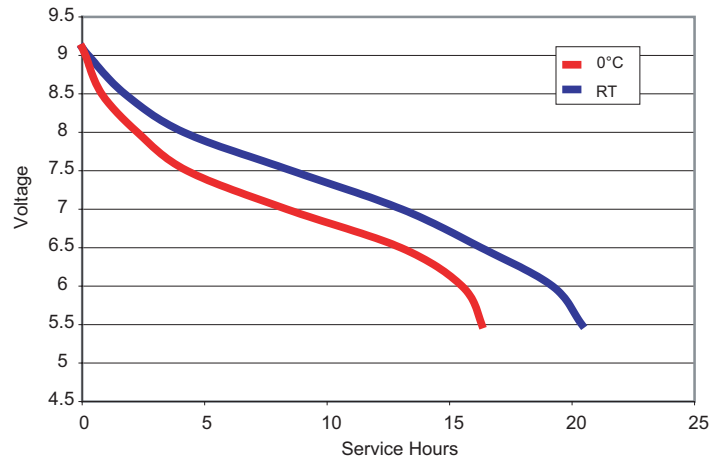
TYPICAL DISCHARGE CHARACTERISTICS AT 21°C (70°F)



TYPICAL DISCHARGE CHARACTERISTICS AT 21°C (70°F)



TYPICAL TOY TEST AT 21°C AND 0°C



DURACELL[®]
BATTERIES

Berkshire Corporate Park
Bethel, CT 06801 U.S.A.
Telephone: Toll-free 1-800-544-5454
Internet: www.duracell.com

* Delivered capacity is dependent on the applied load, operating temperature and cut-off voltage. Please refer to the charts and discharge data shown for examples of the energy / service life that the battery will provide for various load conditions.